

BETTACRETE

Bettacrete

PRECAST

BETTACRETE PRECAST PTY LTD
ABN 11 007 643 790

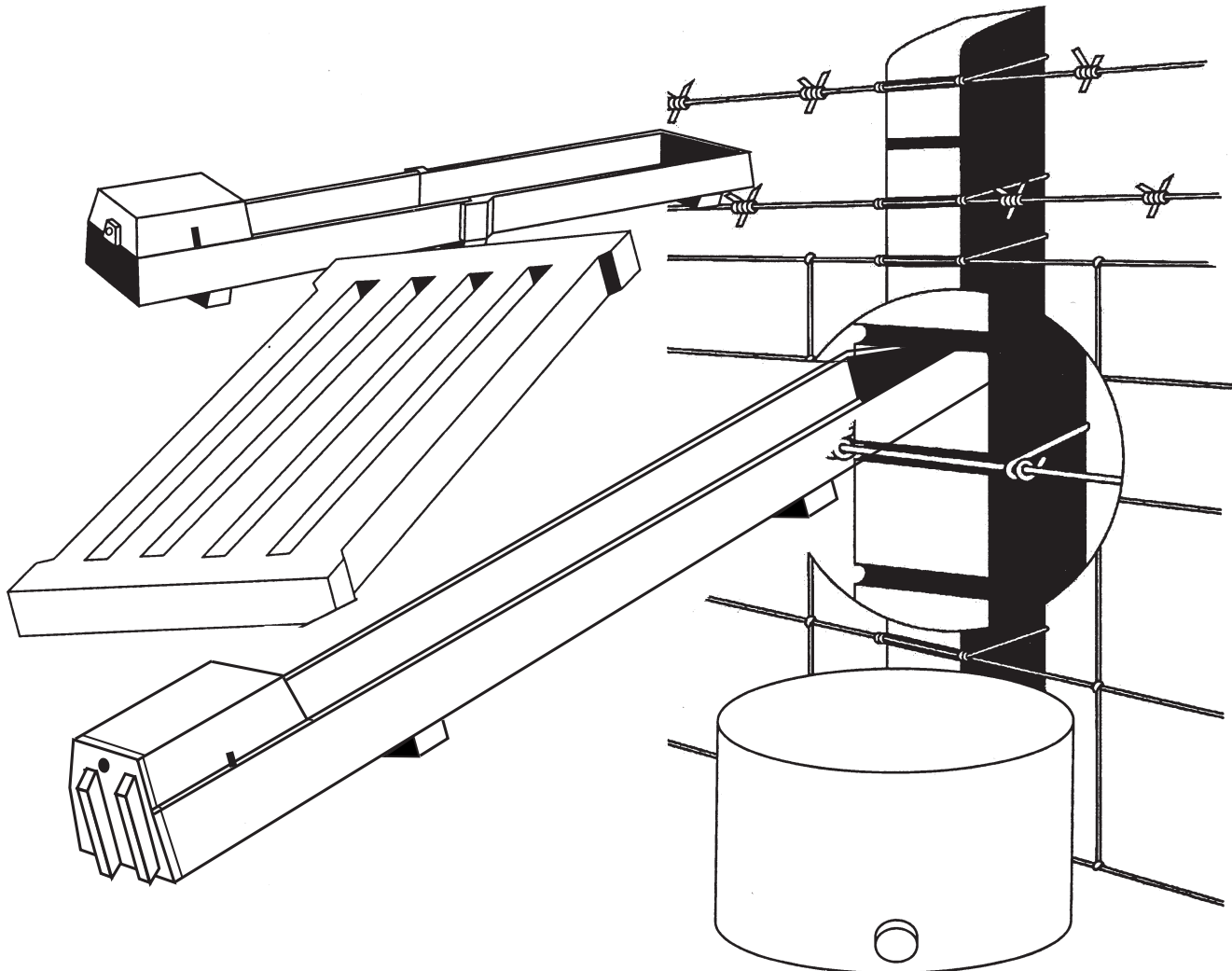
152 Port Wakefield Rd, Cavan S.A. 5094
Telephone: (08) 8262 1042
Facsimile: (08) 8260 2460
Website: www.bettacrete.com.au
Email: sales@bettacrete.com.au



International Standards
Certification Lic No. QAC/R61/0078

Rural Products

*Rural, Pit & Electrical price lists also available
(Custom made items available)*



All dimensions subject to change without notice.

MODULAR CONCRETE TROUGHS

WTB05

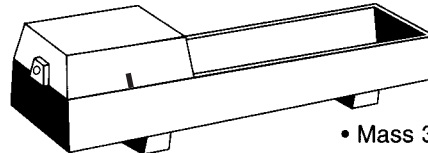
1.35 Metre Trough (4' 6")



- Mass 150kg
- Capacity 81 Litres
- 1300 x 300 x 205mm

(Ball valve Cover optional extra)

New Lightweight 12 kg Galvanised Cover



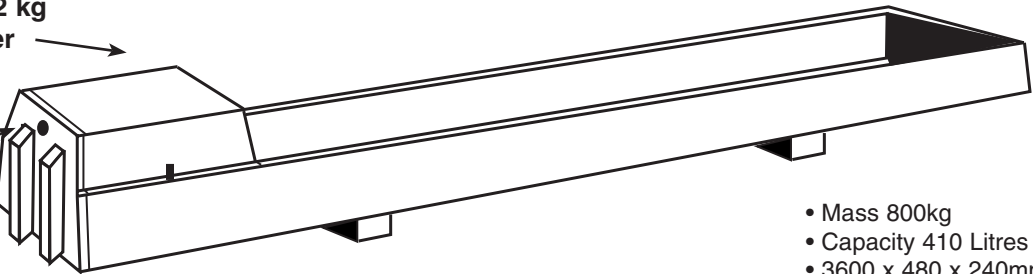
MCT24

2.4 Metre Trough (8')

- Mass 360kg
- Capacity 250 Litres
- 2440 x 460 x 230mm

New Lightweight 12 kg Galvanised Cover

Standard 1" Inlet (can be increased)



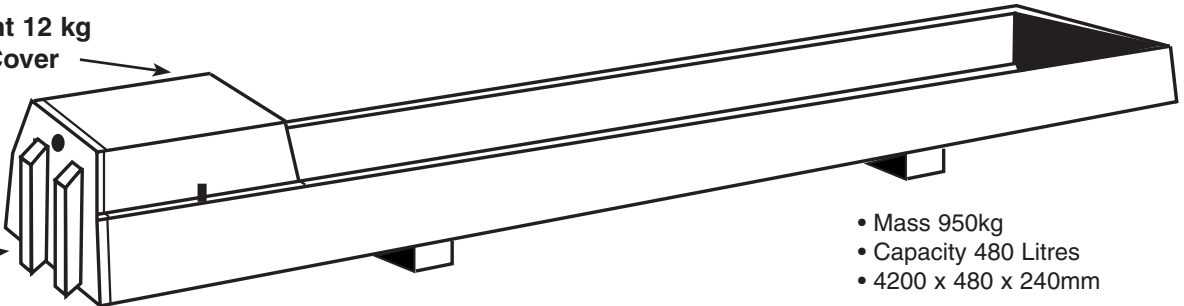
- Mass 800kg
- Capacity 410 Litres
- 3600 x 480 x 240mm

MCT36

3.6 Metre Trough 12'

New Lightweight 12 kg Galvanised Cover

New Moulded Riser Pipe Protection

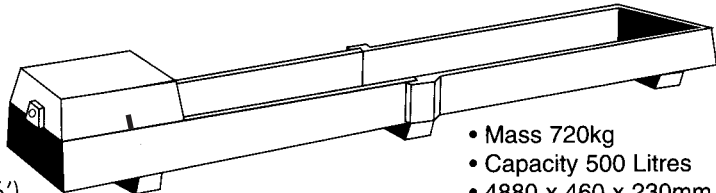


- Mass 950kg
- Capacity 480 Litres
- 4200 x 480 x 240mm

MCT42

4.2 Metre Trough 14'

New Lightweight 12 kg Galvanised Cover



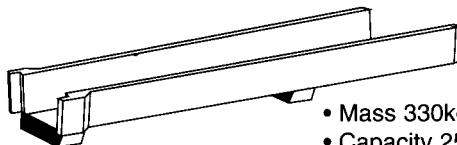
- Mass 720kg
- Capacity 500 Litres
- 4880 x 460 x 230mm

MCT48

4.8 Metre Trough (16')

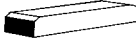
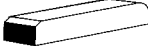


MCTE24

2.4 Metre Trough Extension (8')

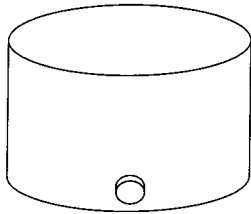


- Mass 330kg
- Capacity 250 Litres
- 2440 x 460 x 230mm

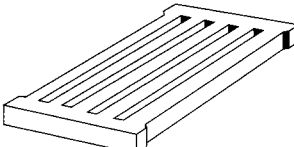
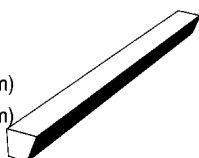
SQUARELINE TROUGHS

Part No.	Size (mm)		
* WT01	915 Chicken Trough		(3')
* WT02	915 Pig Trough		(3')
* WT03	1.83m Pig Trough		(6')
* WT04	1.83m Pig Trough 2 Compartments		(6')

TROUGHS

WT08	1.2 Metre Round Trough (4')		<ul style="list-style-type: none"> • Mass 480kg • Capacity 600 Litres • 1200 diameter x 700mm
------	-----------------------------	---	--

PIGGERY GRIDS

Part No.	Size (mm)		
	Compound Grids		
PG96	915 x 610 Seven Slats		(3' x 2') 10 per Tonne
PG183	1.830m x 305 Three Slats		(6' x 1') 10 per Tonne
PG1246	1.220m x 455 Five Slats		(4' x 1'6") 10 per Tonne
	Single Slats		
SS121	125 x 100 (max length 2400mm)		(5" x 4") per Metre 80m per Tonne
SS81	80 x 100 (max length 2000mm)		(3" x 4") per Metre 133m per Tonne

FIBREGLASS REINFORCED CEMENT SHEETS

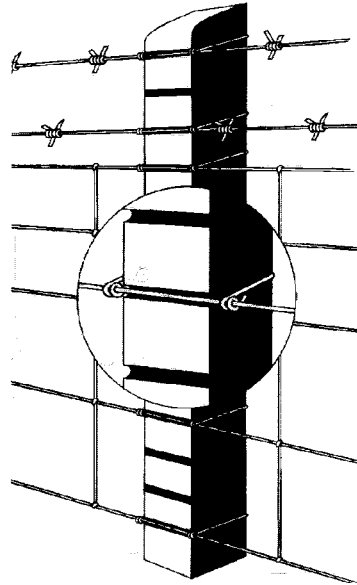
Part No.	Maximum Size (mm)	
*GRC	2400 x 1200 x 20	(8' x 4') per square metre

Note: * Specifies made to order

MODULAR FENCE POST

Part No.
FP100 **Size (mm)**
1800 x 90 x 70

PC01 Wire Clips



40 per Tonne
6'

200 per bag

TRADITIONAL FENCE POSTS

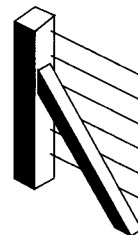
Part No.	Size (mm)	
FP01	1.5m Lightweight	(5')
FP02	1.65m Lightweight	(5'6")
FP03	1.8m Lightweight	(6')
FP04	1.65m x 125 x 100 Standard	(5'6")
FP05	1.8m x 125 x 100 Standard	(6')
FP06	1.65m x 125 x 100 Standard	(5'6")
FP10	2.m x 175 x 175 Gate Post	(6'8")
FP11	2.m x 150 x 150 Strainer	(6'8")
FPS01	2.3m Strut	(7'6")
FP13	1.5m for Galv Iron	(5')
FP14	1.8m for Galv Iron	(6')
FP15	2.1m for Galv Iron	(7')
FP16	2.4m for Galv Iron	(8')
FP18	1.65m x 100 x 75 Medium	(5'6")
FP19	2.4m Bull Yard Post	(8")
FP20	1.8m x 100 x 75 Medium	(6')



55 per Tonne
50 per Tonne
45 per Tonne

22 per Tonne
18 per Tonne
22 per Tonne

8 per Tonne
10 per Tonne
18 per Tonne



37 per Tonne
24 per Tonne
19 per Tonne
14 per Tonne

36 per Tonne
8 per Tonne
33 per Tonne